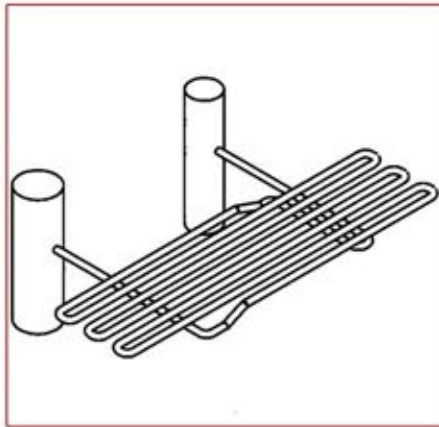


# INDECK<sup>®</sup>

## Self-Supported Steam Cooled Superheater Elements for Keystone<sup>®</sup> Package Boilers



Self-Supporting Steam Cooled Superheater Element

Indeck Keystone Energy's replacement superheater elements are now available in a self-supporting steam cooled design for our Keystone<sup>®</sup> Package Boilers. This design provides improved support and flow characteristics. These elements replace those currently supported by non-cooled lugs, tile, and/or individual steam cooled support tubes.

### **Features**

- Unique one-piece element design
- Stainless steel expansion clips replace rigid bar-type lugs
- Existing headers may be reused for units with 2" tubes on 4" spacing
- Revised assembly drawings and installation procedure

### **Application**

Boiler users with sagging superheater elements and/or temperature control problems should consider the benefits of installing the self-supporting steam cooled element design.

### **Benefits**

- Element sagging is eliminated with proper operation
- Enhanced flow distribution and performance predictability provide longer element life
- One-piece design minimizes installation costs
- Stainless steel expansion clips lessen the opportunity for tube failures

For more information,  
please contact:

### **Indeck Keystone Energy, LLC.**

Aftermarket Sales & Service  
5340 Fryling Road, Suite 200  
Erie, PA 16510-4672  
814.452.6421

[www.indeck-keystone.com](http://www.indeck-keystone.com)

24-Hour Availability  
1.800.322.5995