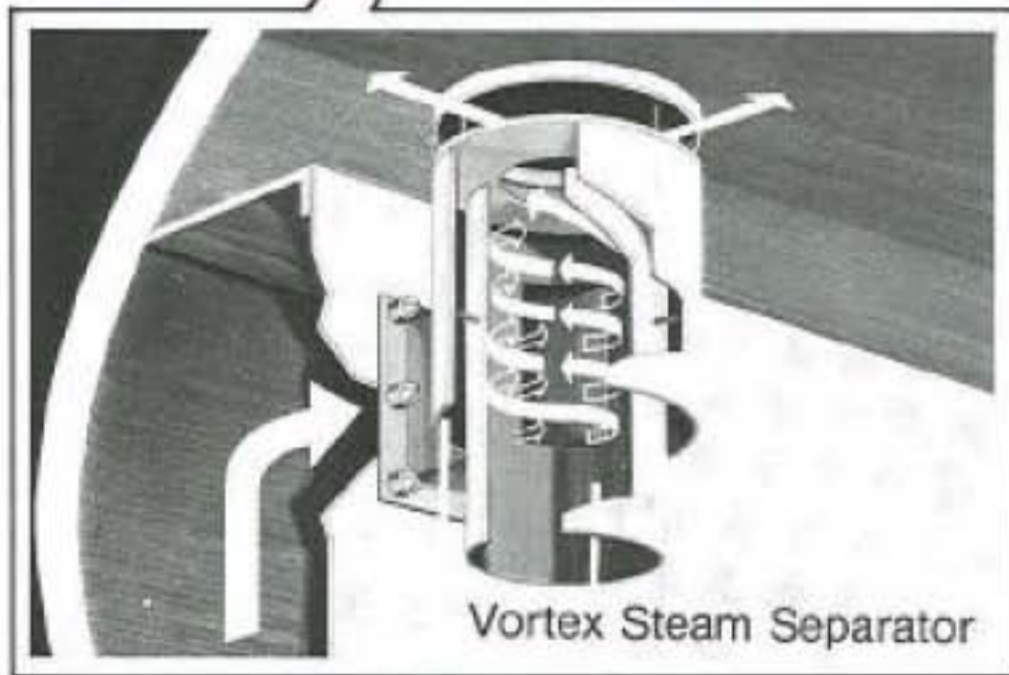
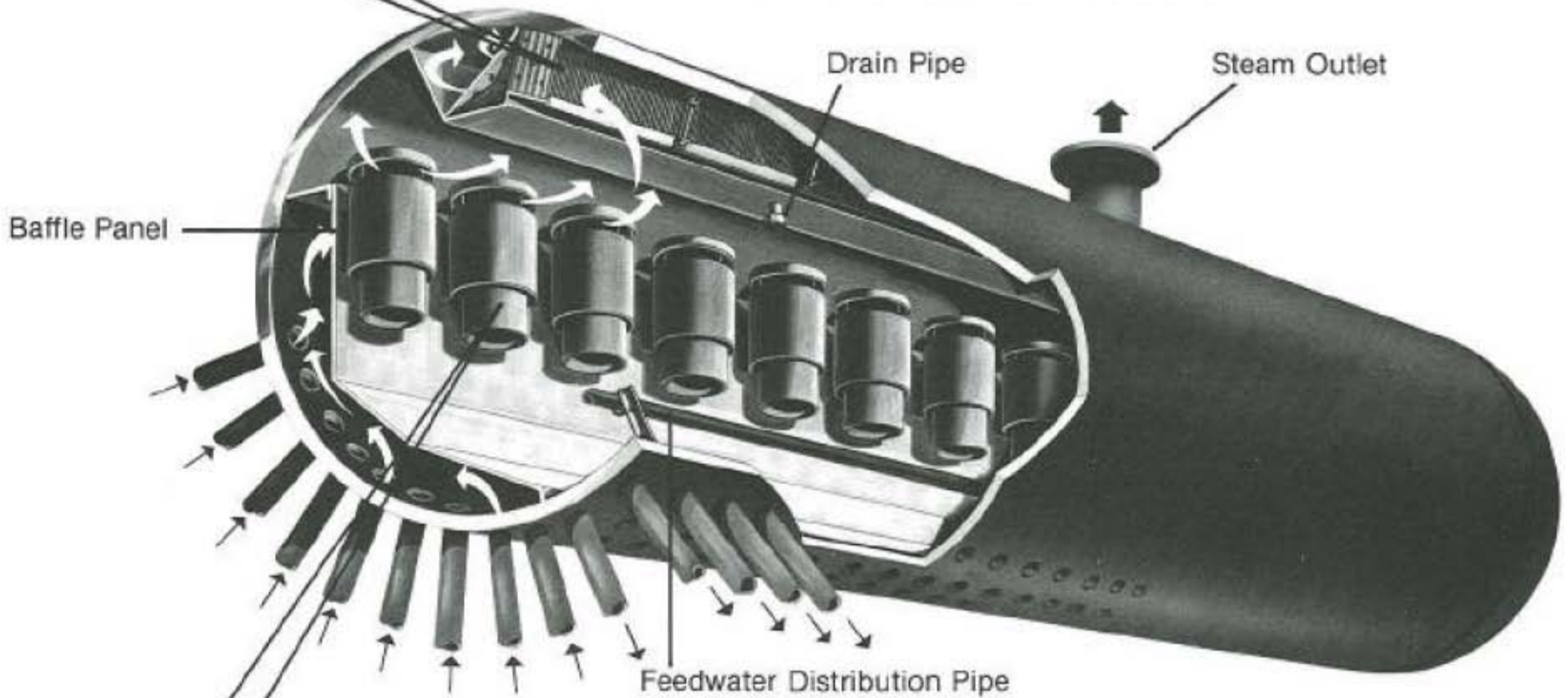


**Steam Purity Components**

**Baffled Drum with Vortex Steam Separators and Chevron Purifiers**

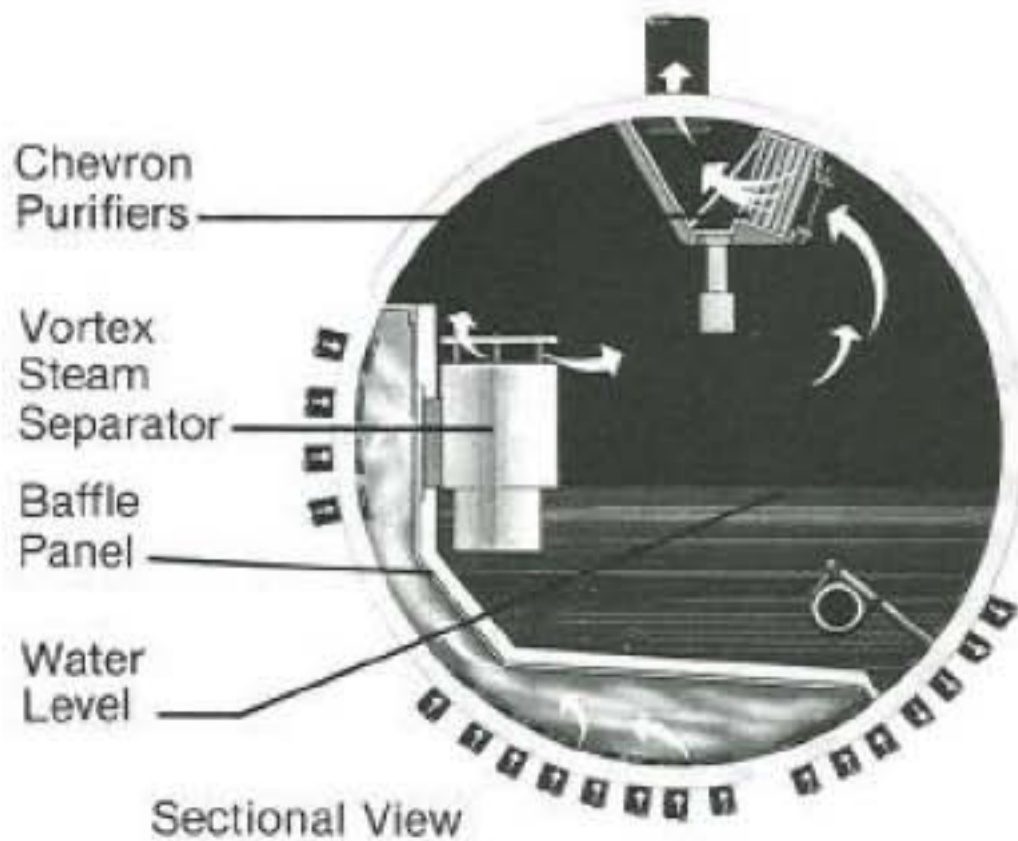


Indeck Keystone Energy LLC (IKE), has extensive experience and expertise in providing high-quality, high-purity steam. Steam separation and scrubbing components are designed for specific requirements and are compatible with any IKE steam generator.

In this arrangement, which combines Vortex steam separators and Chevron purifiers, steam and water enter through ports into Vortex steam separators where water is separated by centrifugal action and gravity. Steam rises and flows through the Chevron purifiers, where direction of flow is continually reversed so that any residual water droplets or condensate cling to scrubber plates, collect and return to recirculating water.

Vortex separators are an integral part of the steam generator Circulation system. Vortex separators will stabilize steam drum Level during transient conditions and maximize circulation by insuring positive separation of steam from water flowing to downcomers.

Vortex separators and Chevron purifiers can be applied to any IKE steam generator or process steam drum and will provide highest steam purity.



**Indeck Keystone Energy**

5340 Fryling Road, Suite 200  
Erie, Pennsylvania USA 16510

Tel: 814-452-6421

Fax: 814-897-1089

Website: [www.indeck-keystone.com](http://www.indeck-keystone.com)