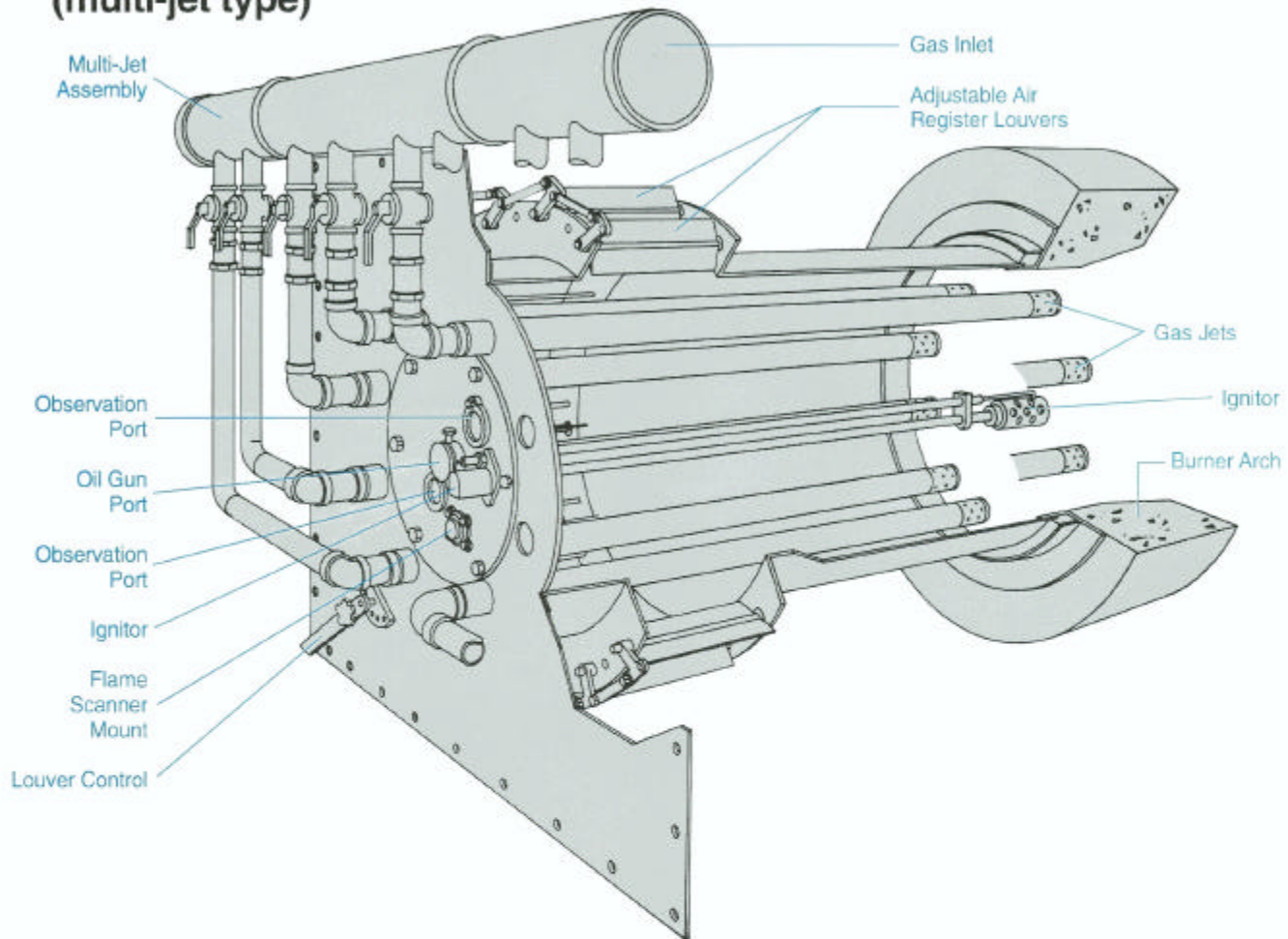


KE Keystone Energy Burners

High Btu Gas Firing (multi-jet type)



Description

Keystone Energy Multi-Jet Burner is designed for maximum efficiency when burning high-heating value fuel gases such as natural gas, refinery gas, etc. In dirty-fuel applications the multi-jet design allows continued operation while jets are being serviced. Jet design and location produces optimum fuel/air mixing to provide stable ignition and efficient combustion with minimum excess air. Adjustable air register louvers can be set to introduce combustion air without spin or with spin in either direction for the best flame configuration and lowest emission.

Please refer to proposal data or request operational information for a specific fuel or application.

General Design Data

Model Shown:	MJ
Sizes Available:	24" through 48" (610-1220mm)
Heat Input:	84 to 516 Million Btu/Hr (24.6-1716MW)
Turndown:	10 to 1
Minimum Burner Pressure:	10 psig (0.7 Barg)
Excess Air:	10%
Fuel Type:	Fuel Gas
Fuel Heating Value:	850 Btu/cu. ft. and up (31,634 KJ/m ³)

Keystone Energy is the OEM equipment and service supplier for the following Heat Recovery Steam Generators, Industrial Boilers, Stokers and Burners:
Erie City Iron Works
Zum Industries, Inc., The Energy Division
Aalborg Industries, Inc., Land Based Boilers
Erie Power Technologies, Inc.



KEYSTONE ENERGY A/S
5300 Knowledge Parkway, Suite 200
Erie, PA 16510 U.S.A.
Phone: 1-800-322-5995
Fax: 1-814-897-1089
Website: www.keystone-energy.com